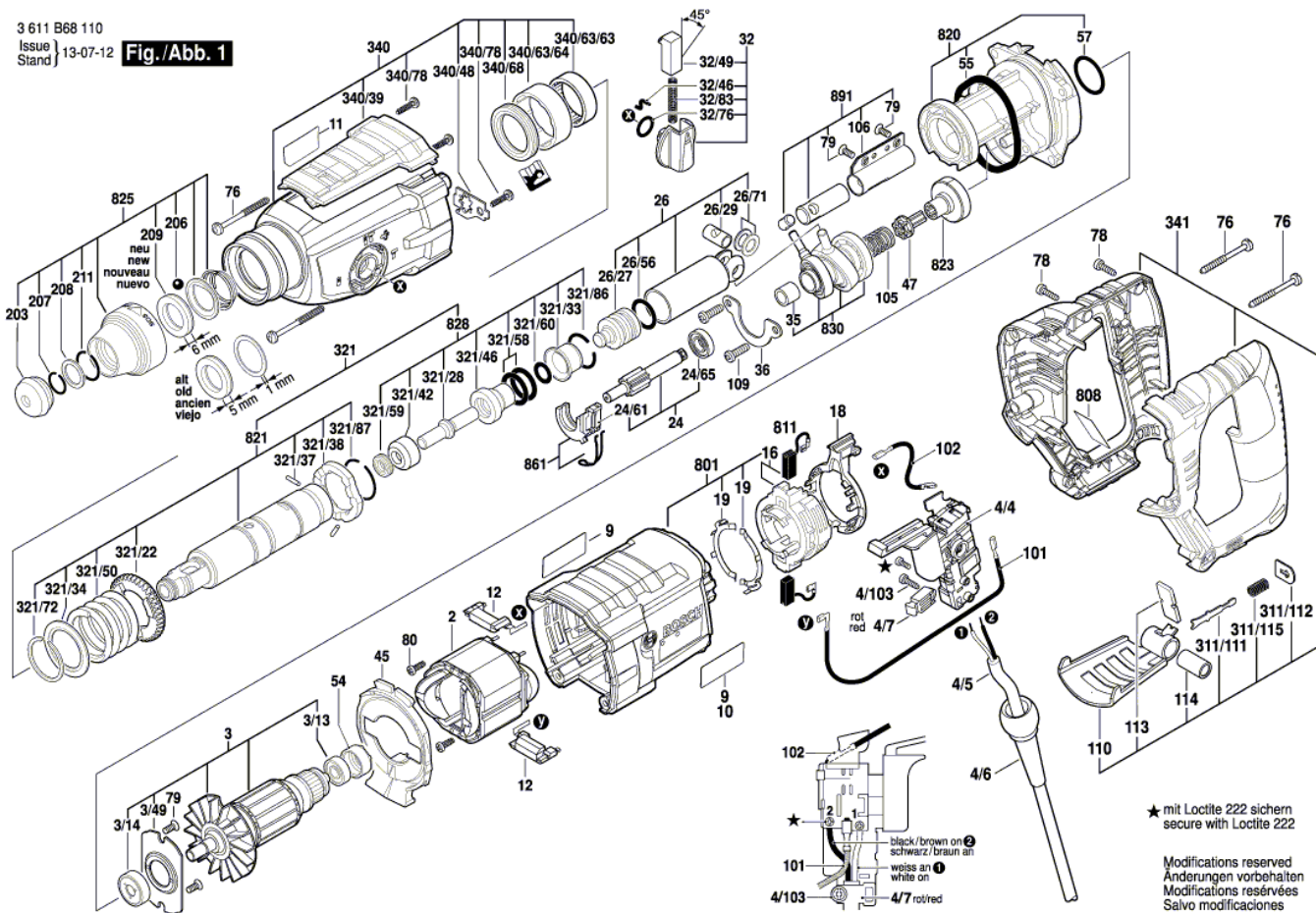




3 611 B68 110
Issue } 13-07-12
Stand }

Fig./Abb. 1

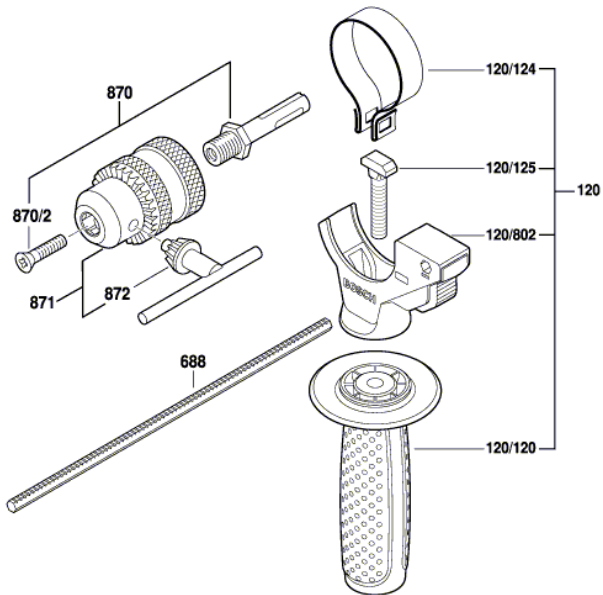


**BOSCH** PARTS AND SERVICE ONLINE

1800 W. Central Mount Prospect IL 60056

Tool Number: 3611B68110

Model Number: RH228VC

3 611 B68 110
Issue } 13-07-12
Stand }**Fig./Abb. 2**

Modifications reserved
 Änderungen vorbehalten
 Modifications réservées
 Salvo modificaciones

**BOSCH** PARTS AND SERVICE ONLINE

1800 W. Central Mount Prospect IL 60056

Tool Number: 3611B68110

Model Number: RH228VC

Pos.	Part Number	Description	Pos.	Part Number	Description
2	1 614 220 224		209	1 610 102 638	
3	1 614 010 272		211	2 916 540 012	Retaining ring
3/13	1 610 905 032	Deep-Groove Ball Bearing	311/111	1 611 016 004	Tappet
3/14	1 610 905 048		311/112	1 611 010 008	Pressure Plate
3/49	1 615 700 044	End Shield	311/115	1 614 643 017	Compression Spring
4/4	1 617 200 132		321	1 617 000 6CA	
4/5	2 610 911 990		321/22	1 616 312 004	Cylindrical Gear
4/6	1 600 703 034	Grommet	321/28	1 613 124 098	
4/7	1 601 035 008	Cable Clip	321/33	1 610 590 020	
4/103	1 613 435 034	Lens Head Screw	321/34	1 610 190 067	
9	1 611 110 W52		321/37	1 613 100 019	Straight Pin
9	1 611 11C 01K		321/38	1 610 190 065	
11	1 611 110 W40		321/42	1 610 102 084	Thrust Ring
12	1 614 465 012	Adapter module	321/46	1 610 390 068	
16	1 614 336 064	Brush Plate	321/50	1 614 615 008	
18	1 610 290 183	Clutch Sleeve	321/58	1 610 210 105	O-Ring
19	1 611 329 024	Switch Contact	321/59	1 610 283 039	Rotary shaft lip seal
24	1 617 000 6EJ		321/60	1 610 210 209	
24/61	1 615 820 097	Switching Element	321/72	1 604 601 027	Retaining ring
24/65	1 610 905 016	Deep-Groove Ball Bearing	321/86	1 614 601 034	Retaining ring
26	1 617 000 6A5		321/87	1 604 601 028	Retaining ring
26/27	1 610 311 019		340	1 617 000 6EC	
26/29	1 613 105 020	Piston Pin	340/39	1 615 500 429	
26/56	1 610 210 121	O-Ring	340/48	1 611 098 008	Tab Washer
26/71	1 610 100 016	Guide Disc	340/63/63	1 610 910 063	Needle bearing
32	1 612 026 037	Clamp Handle	340/63/64	1 610 390 069	
32/46	1 614 690 002	Driver Pin	340/68	1 610 283 036	Rotary shaft lip seal
32/49	1 612 026 035	Switch Button	340/78	2 603 490 022	Torx Oval-Head Screw
32/76	1 610 210 046	O-Ring	341	1 617 000 6AF	
32/83	1 614 611 006	Compression Spring	688	1 613 001 009	Depth-Gauge
35	1 610 202 024	Plain bearing	801	1 617 000 6DT	
36	1 615 808 106		808	1 601 106 035	
45	1 610 522 015		811	1 617 000 525	Carbon-Brush Set
47	1 616 312 010		820	1 617 000 6BT	
54	1 610 502 016		821	1 617 000 6C9	
55	1 610 290 104		823	1 617 000 6BW	
57	1 610 210 208		825	1 617 000 6CB	
76	1 613 435 022	Thread-forming tap. Screw	828	1 617 000 697	
78	2 603 490 022	Torx Oval-Head Screw	830	1 617 000 6BX	
79	1 613 435 042		861	1 615 820 097	Switching Element
80	1 613 435 043		870	1 613 523 011	Drill Chuck Shank
101	1 614 449 018	Connecting Cable	870/2	2 603 421 207	Countersunk-Head Screw
102	1 614 449 019	Connecting Cable	871	1 608 571 069	Chuck
105	1 614 643 027		872	2 607 950 007	Chuck Wrench
106	1 610 590 024		891	1 617 000 6BZ	
109	1 613 435 029	Thread-forming tap. Screw			
110	1 615 510 007	Strap			
113	1 611 015 057	Stop Plate			
114	1 610 301 006	Bushing			
120	1 612 025 057	Auxiliary Handle			
120/120	1 612 025 058	Auxiliary Handle			
120/124	1 611 316 021	Clamping Band			
120/125	1 613 490 002	T-Head Bolt			
120/802	1 617 000 475	index turning toolholder			
203	1 610 508 047	Protective Cap			
206	1 613 230 003	Ball			
207	1 614 601 027	Retaining ring			
208	1 610 101 629	Retaining Washer			